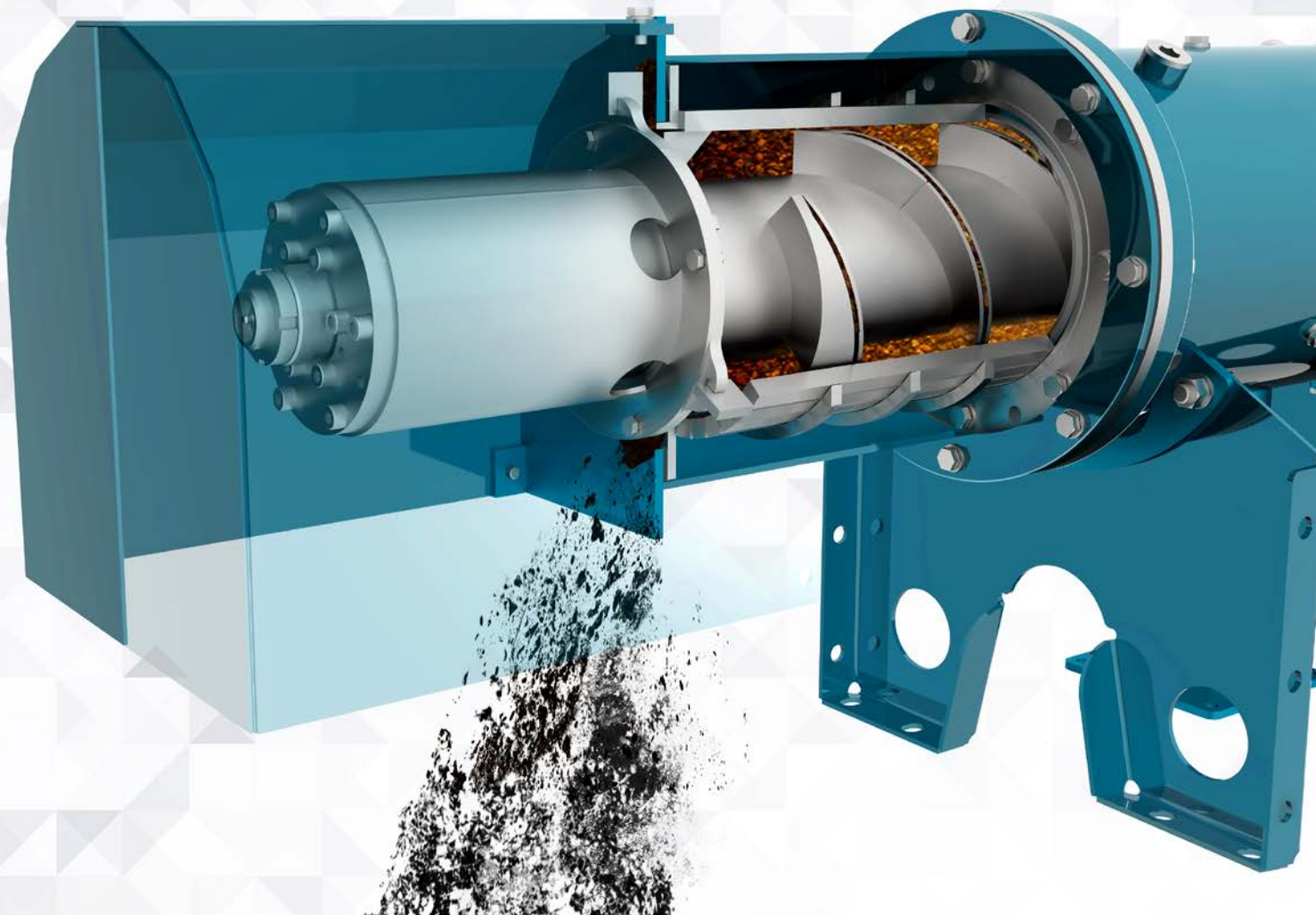


BIOSELECT



PERFECT SEPARATION RESULT

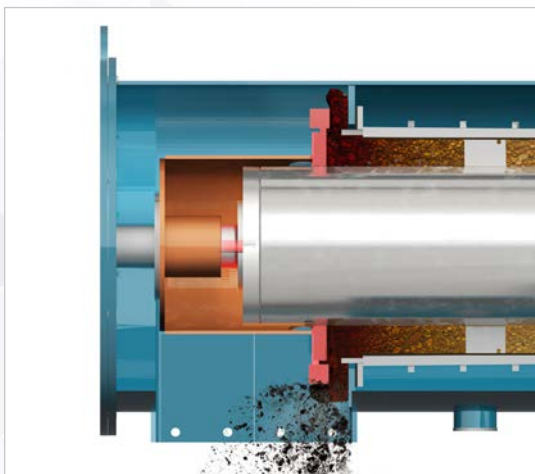
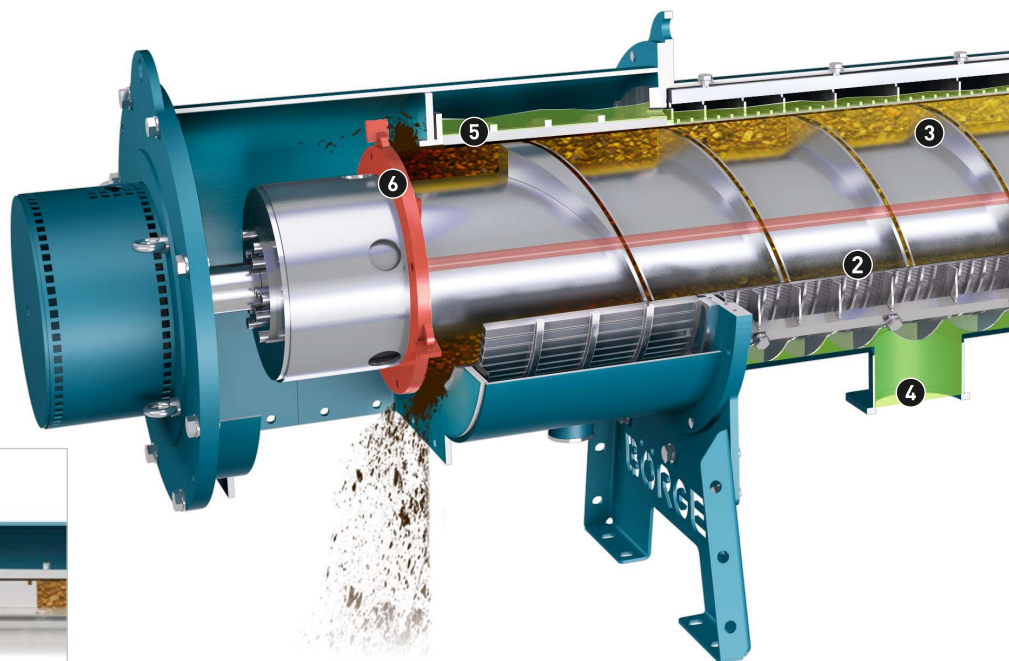
BÖRGER BIOSELECT

The Börger Bioselect stands for efficient separation technology. Using a purely mechanical process, liquid parts are separated from solid parts in the medium.

OPERATING PRINCIPLE

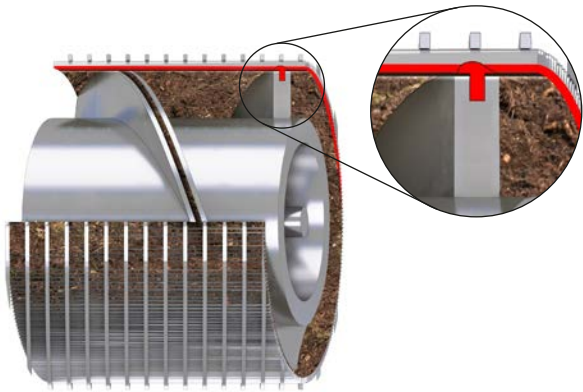
The media to be separated find their way through the inlet opening **(1)** into the vessel-like Bioselect. The outer cylinder is separated from the auger **(3)** by a roundly sealed wire-wound screen **(2)** pipe. The auger has a frictional connection to the drive. The imported liquid flows into the screen area next to the drive. The liquid flows through the wedge wire screen **(2)** into the outer vessel area. The liquid drains through the liquid outlet **(4)**.

The solid contents remain on the screen surface. They are conveyed into the press channel **(5)** by the rotating auger **(3)**. Powerful subsequent dewatering takes place in the press channel **(5)**. The rotating auger has a Multi Disc **(6)** (sealing disk), which can be shifted in axial direction, at the non-drive end. The adjusting unit **(7)** presses the Multi Disc against the auger and the compressed thick matter plug. When the thrust force of the plug is greater than the spring force of the Easy Shift unit **(7)**, a slot for discharging is created by axial movement. A scraper edge is used to loosen and expel the solids.



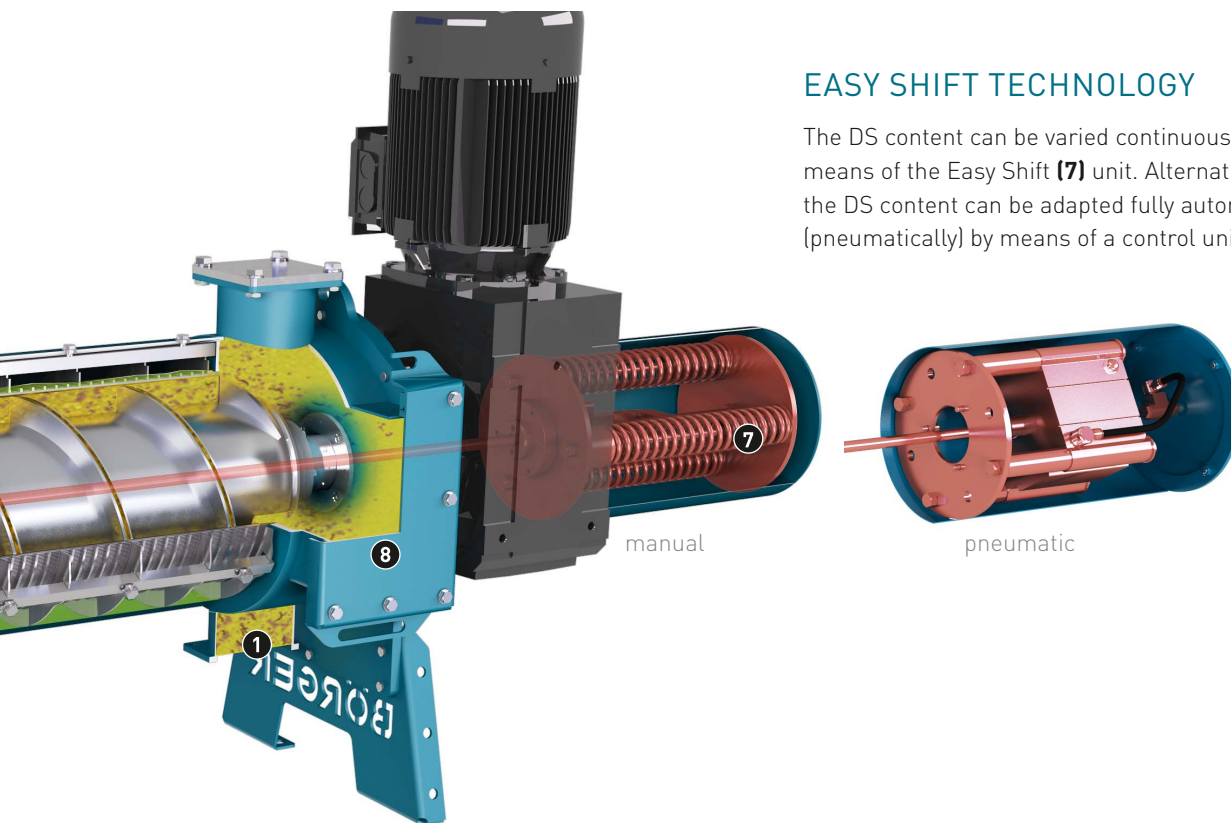
MULTI DISC

Liquid penetration is impossible due to the Multi Disc technology **(6)**. The Multi Disc **(6)** seals the press channel **(5)** as long as the required drying stage of the thick matter plug is achieved. This is when the slot for discharging opens and the solid phase is loosened and expelled – **penetration-proof technology**.



AUGER WITH PROFILE GROOVE

Fibers are caught in the profile groove of the auger **(3)**. The fibers function as a sealing brush. Metallic rubbing between the auger and the wedge wire screen **(2)** is avoided by the brush. This unique technology increases the service life of the wedge wire screen **(2)** and auger many times over. In addition, the brushing surface cleans the wedge wire screen very thoroughly. Additional cleaning by the operator is not necessary.



EASY SHIFT TECHNOLOGY

The DS content can be varied continuously by means of the Easy Shift **(7)** unit. Alternatively, the DS content can be adapted fully automatically (pneumatically) by means of a control unit.

UNIQUE EASE OF MAINTENANCE

The Bioselect is maintained at the installation site without the need to remove piping and the drive system. The auger **(3)** can be removed from the drive shaft through the maintenance opening **(8)** after a few screws have been loosened. This way, the auger can be removed from the discharge side with minimum space requirements. The operator themselves can maintain the Bioselect. Easily and quickly.



+ Large capacities, low energy consumption

+ Solid phase infinitely variable up to a solid content of 38%

+ No rubbing wear between the auger and screen, extremely long service life

+ No risk of penetration – the rotating Multi Disc is always leakproof due to its design

+ Four sizes with capacities of up to 150 m³/h for each unit

+ «Everything from a single source» – separator, pump, control unit and service

Model	Capacity:
Bioselect RC 25	Up to 110 gpm
Bioselect RC 40	Up to 176 gpm
Bioselect RC 75	Up to 330 gpm
Bioselect RC 150	Up to 660 gpm

CONNECTION OPTIONS

The Bioselect can be operated very easily by means of the control unit. The control unit coordinates the operation of the feed pump and Bioselect perfectly. This way, the separator is always operated at optimal capacity and achieves the best possible results.

On the right:

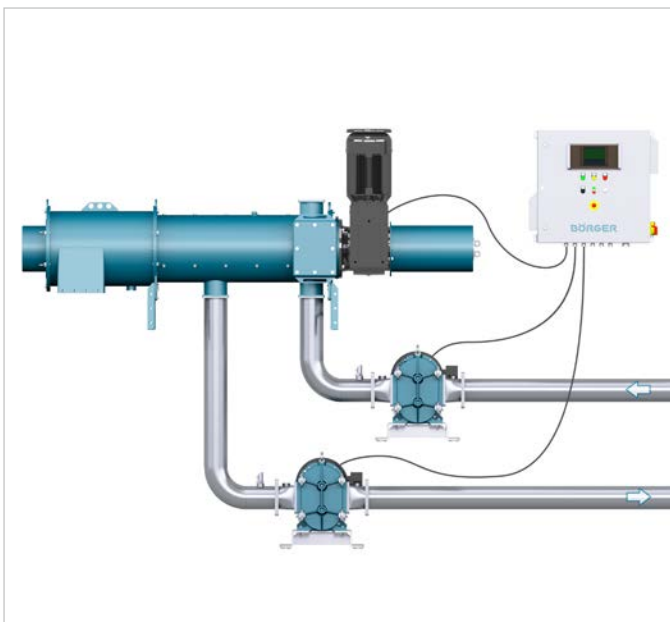
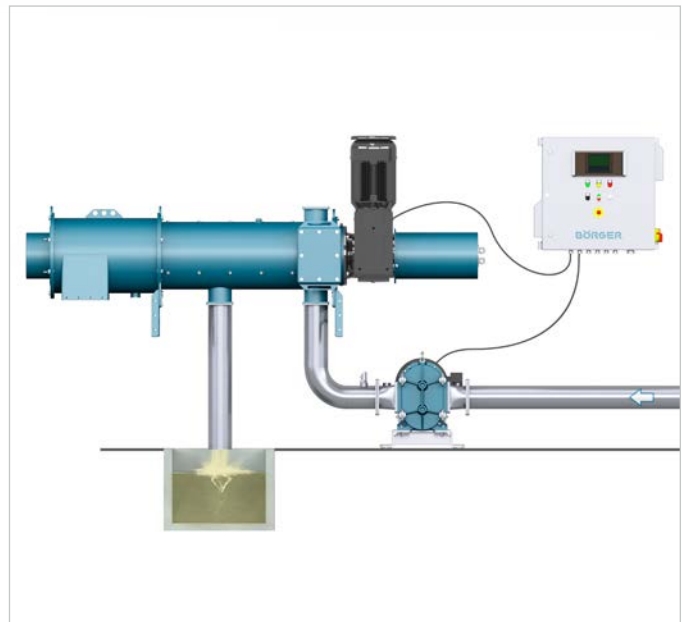
Free outlet of the liquid phase.

On the bottom left:

Alternatively, a liquid phase pump can convey the liquid phase to where it is used next. An intermediate container is not required.

On the bottom right:

The Bioselect can also be fed by means of gravity feed from a container. The control unit regulates the optimum load of the separator by means of the liquid phase pump.



MOBILE OR STATIONARY CUSTOMIZED INSTALLATIONS

INSTALLATION OPTIONS

The installation options of the Bioselect are as versatile as their requirements. Whether attached to a simple wall bracket, installed on a movable frame with an upstream macerator or as a mobile version with a conveyor belt – the application options of the Bioselect are unique. Several separators can be installed next to each other – also as mobile versions – for very high separation quantities.

ON A WALL BRACKET



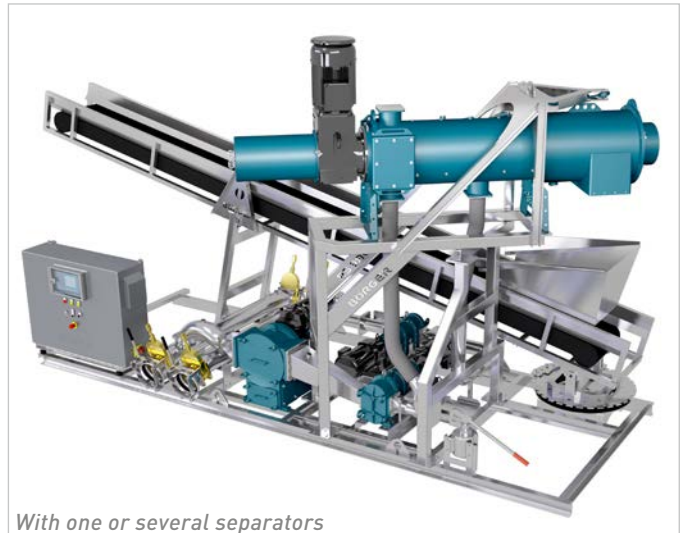
ON A FRAME



COMPACT DESIGN WITH MINIMUM SPACE REQUIREMENTS

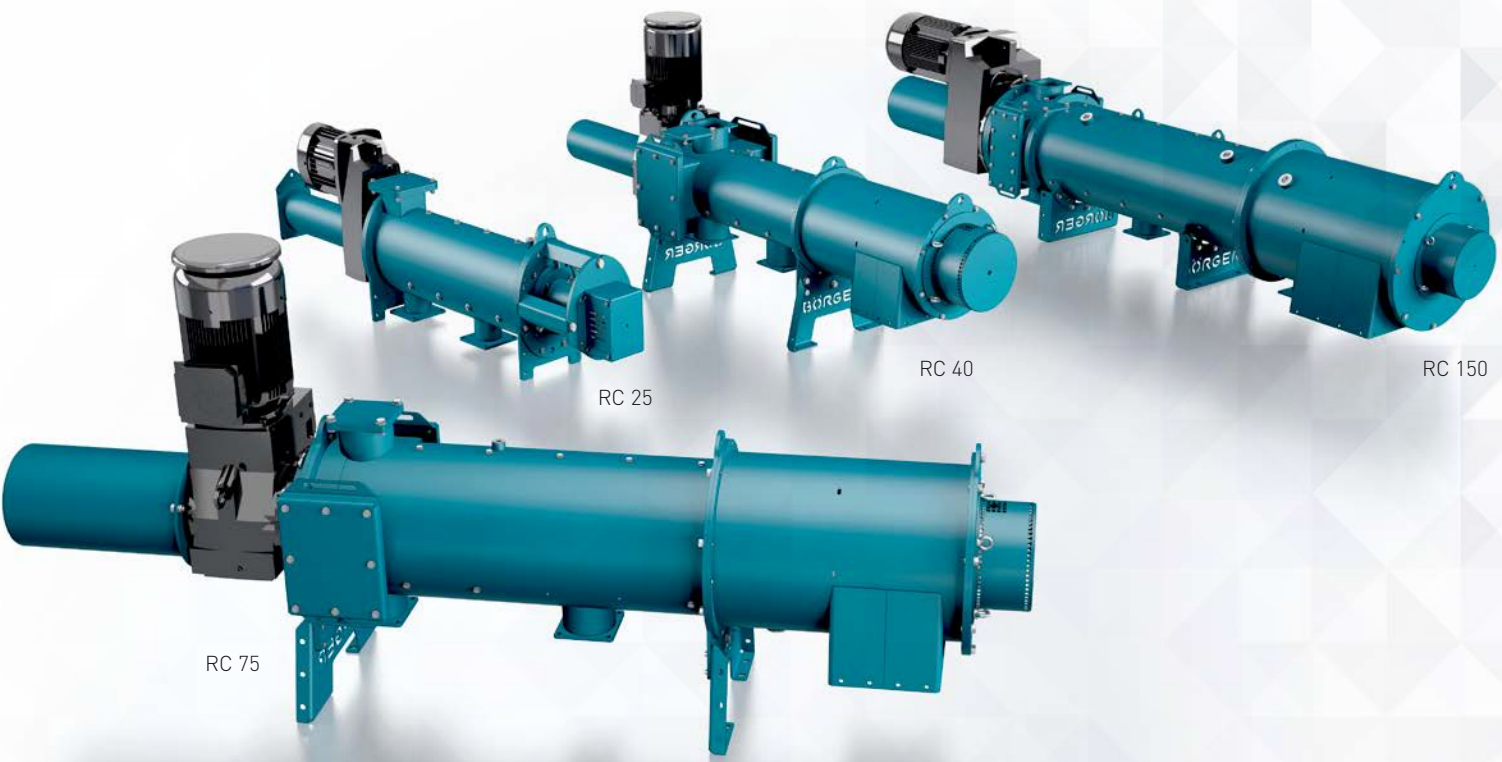


MOBILE VERSION WITH CONVEYER BELT AND MACERATOR



BÖRGER®

EXCELLENCE - MADE TO LAST



BIOSELECT. EFFICIENT AND DURABLE.

Thanks to its patented technology, the sophisticated Bioselect is up to 25% more efficient than common separators – energy-saving and low-maintenance.

