

Flygt BIS-1 biogas support system

DESCRIPTION & TECHNICAL DATA

The Flygt BIS-1 biogas support system offers easy installation and operation of submersible mixers in a biogas digester for both new and existing biogas digesters.

A Flygt submersible mixer installed on the BIS-1 support system creates a complete mixing system for biogas digesters that ensures proper digester operation and reliably maximizes gas production with minimum installation, maintenance and service time.

Function

The BIS-1 biogas support system was engineered to support critical functions for optimal biogas digestion operation including the ability to:

- move the mixer up and down on the guide bar without opening the digester roof or hatch
- rotate the mixer +/- 45 degrees in the horizontal plane without opening the digester roof or hatch
- simply lift the mixer out of the digester without emptying the tank

What the BIS-1 support system means for you

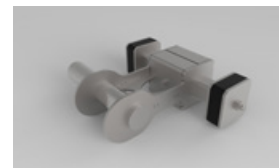
- Reduced system downtime and maintenance costs thanks to:
 - quick and easy equipment installation and mixer maintenance procedure
 - standardized parts that are available for fast delivery
 - easy adjustability of mixer height or angle without opening the digester roof or hatch
- Reliability and safety thanks to:
 - patented guide bar connection - guarantees a secure and durable guide bar connection, minimizing vibration and thereby maximizing system longevity
 - intermediate support - enables a mixer to pass over an intermediate wall bracket smoothly without obstruction
 - compatibility with locally supplied guide bars
 - corrosion and abrasion resistant - engineered to withstand minimum 5 years of demanding service inspection

Technical data

- Compatible with Flygt 4600 mixer series and Flygt 4460 mixers (1.3 m propeller)
- Every steel component is made with SS316
- Equipped with Pfaff certified winch
- Winch package is equipped with fibre rope
- Designed for 100x100x4 mm guide bar
- Suitable for wall thicknesses of 200, 300, and 500 mm (other thicknesses available on special order)



Flygt 4670 mixer installed on the BIS-1 biogas support system



Clearance free guide bar connections



Outer assembly with winch package

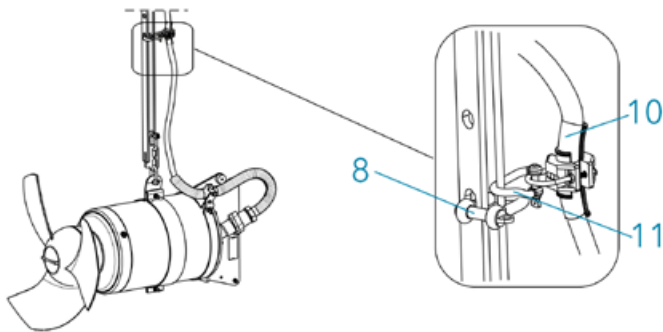


Intermediate wall support

Flygt BIS-1 biogas support system DESCRIPTION & TECHNICAL DATA

BIS-1 biogas support system composition

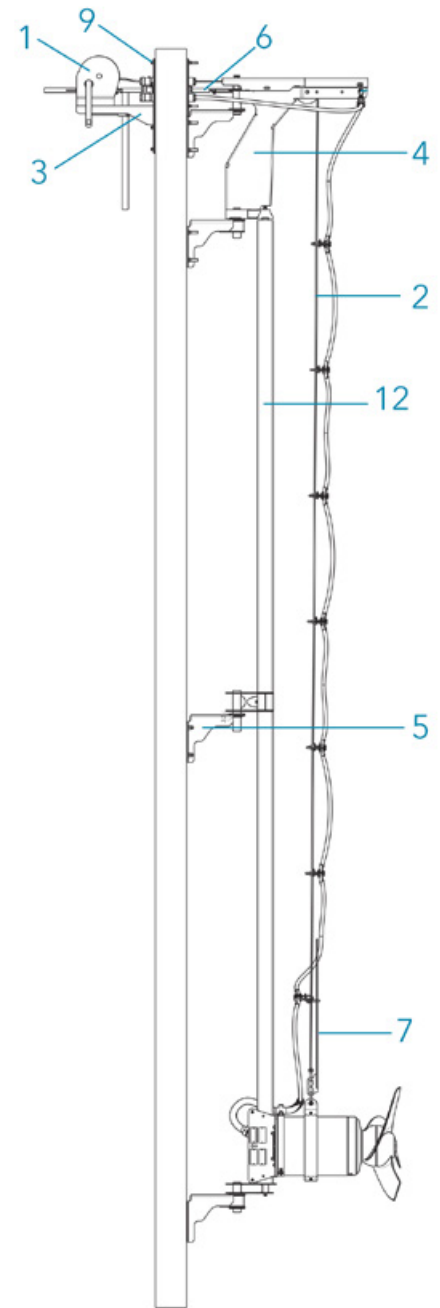
Item No.	Denomination	Part Number	
1	Winch	85 02 59	
2	Polyester rope 9 m (for TOTAL guide bar length <6)	85 02 51	
	Polyester rope 12 m (for TOTAL guide bar length =>6)	85 02 98	
3	Outer assembly	792 75 00	
4	Inner assembly	792 74 00	
5	Intermediate wall support (if required)	792 76 00	
6	Pivoting arm (part number depends on wall thickness)	200 mm	792 60 20
		300 mm	792 60 30
		500 mm	792 60 50
7	Lifting bracket	802 16 00	
8	Shackle	4600 mixer	82 33 45
		4400 mixer	85 01 80
Mounting Kit			
9	Anchor ampule (M16)	84 56 79	
	Anchor rod (M16)	83 17 27	
Cable Handling			
10	Cable holder (part number depends on cable outer diameter)	17-25 mm	85 01 24
		23-30 mm	85 01 25
11	Shackle for cable holder	85 01 26	
Guide Bar			
12	Guide bar 3 m SS316 (100x100x4 mm)	623 57 01	
	Guide bar 6 m SS316 (100x100x4 mm)	623 57 03	



BIS-1 support system cable fixation



BIS-1 support system front view



BIS-1 support system side view